

# THE 6M GREENBURNER

The 6m Greenburner comes in a range of widths to fit 72 to 80 inch row widths. By introducing a vaporisation system under the canopy, the Greenburner can transfer the LPG from the tank in liquid phase. This enables the system to be less reliant on LPG vessel size and allows more efficient use of the LPG. This combined with the increased width of the 6m Greenburner offers greater flexibility, increased work rates and reduced costs per hectare.

Suitable for 3 beds, 6 rows or broad acre applications, the 6m Greenburner comes complete with removable side plates to lower or raise the height of the machine for different crop and bed applications.

The LPG tank is front mounted for use in the field and can be swapped over to be rear mounted for transportation when the Greenburner is transported on the road between jobs. During transportation the Greenburner is mounted on its own specially designed trailer.

Both the 6m Greenburner and the tank carrier are fitted with identical quick release "A" Frames. This enables the transformation between work and transportation mode to be quick, easy and clean.

The LPG tank mounted on its carrier is surrounded with side impact and roll over protection along with breakaway couplings for maximum protection and safety.



## SPECIFICATIONS:

	72"	80"
<b>Width</b>	5565	6175
<b>Length</b>	1975	1975
<b>Height</b>	1075	1075
<b>Weight</b>	1650Kg	1700Kg
<b>Electric Supply</b>	12V	12V
<b>LPG Usage kW</b>	2060	2230
<b>LPG Usage Average Consumption</b>	200l/h	220l/h

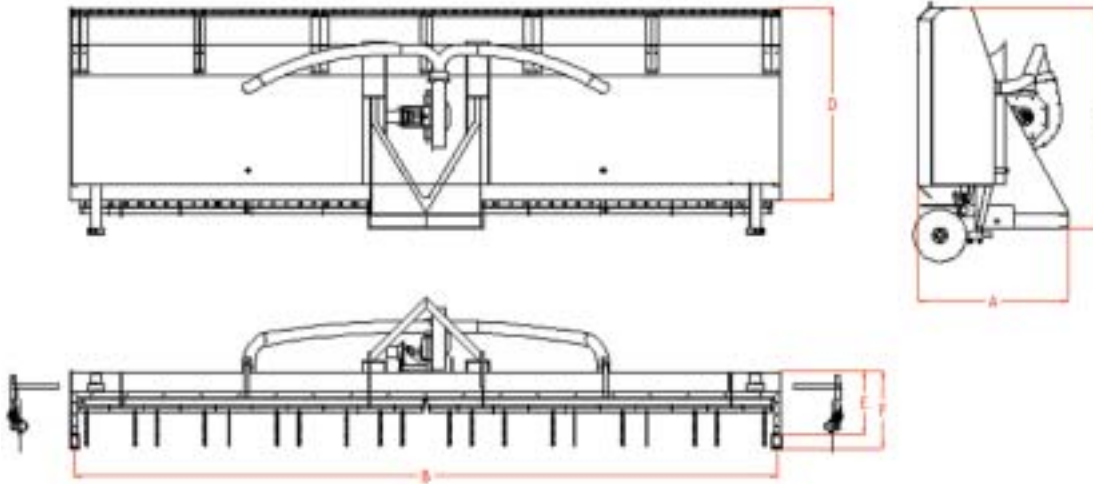
**TO RECEIVE MORE INFORMATION PLEASE CALL CALOR  
ON 0800 216 659 OR VISIT [WWW.LPG-FARMING.CO.UK](http://WWW.LPG-FARMING.CO.UK)  
QUOTING REF: AGRI 0007 10/05**



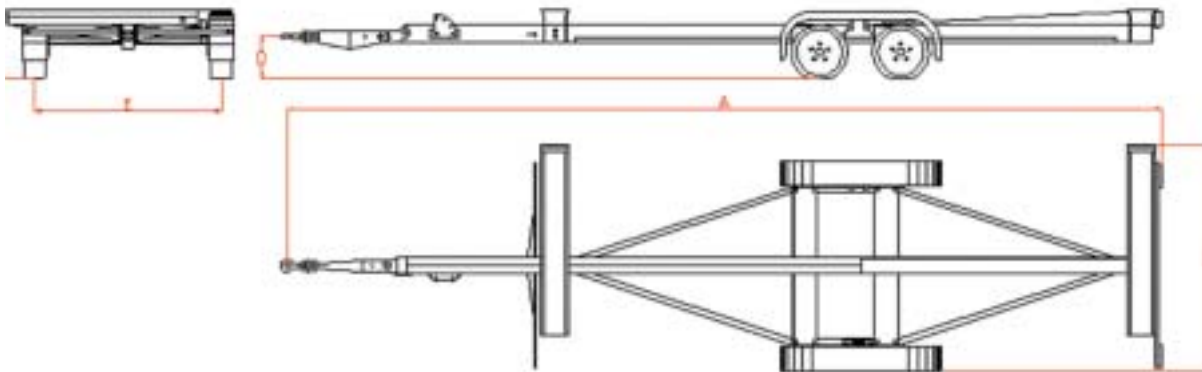
**Calor Gas Ltd, Athena House, Athena Drive, Tachbrook Park, Warwick CV34 6RL**

# THE 6M GREENBURNER SPECIFICATIONS

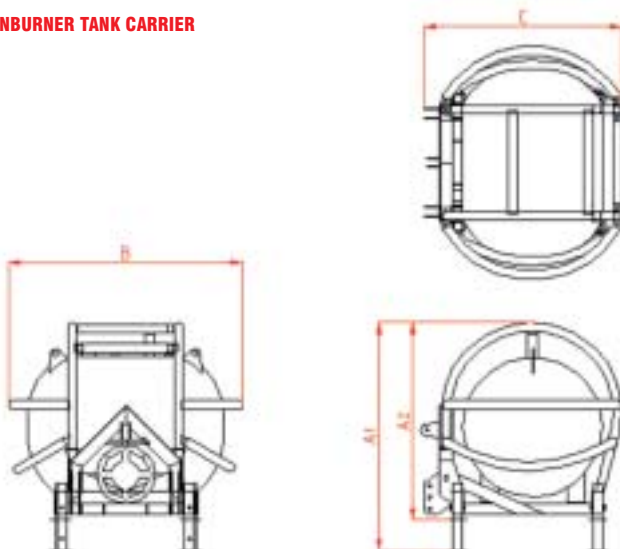
## 6M GREENBURNER



## 6M GREENBURNER TRAILER



## 6M GREENBURNER TANK CARRIER



6M GREENBURNER	72" BEDS	80" BEDS
A HEIGHT	1315	1315
B WIDTH (CENTRE OF SKIDS)	5490	6096
C BODY LENGTH	1925	1925
D CANOPY LENGTH	1700	1700
E SIDE HEIGHT – WITH SKID EXTENSIONS	675	675
F SIDE HEIGHT – WITHOUT EXTENSIONS	550	550

6M GREENBURNER TRAILER	
A LENGTH	8200
B OVERALL WIDTH	2200
C LOADING HEIGHT	640
D DRAWBAR HEIGHT	400
E AXLE TRACK	1800
TYRE	5 STUD 195/50 R13

6M GREENBURNER TANK CARRIER	
1 HEIGHT (FEET DOWN)	1970
A2 HEIGHT (FEET UP)	1700
B WIDTH	2015
C LENGTH	1700

All measurements in millimetres