

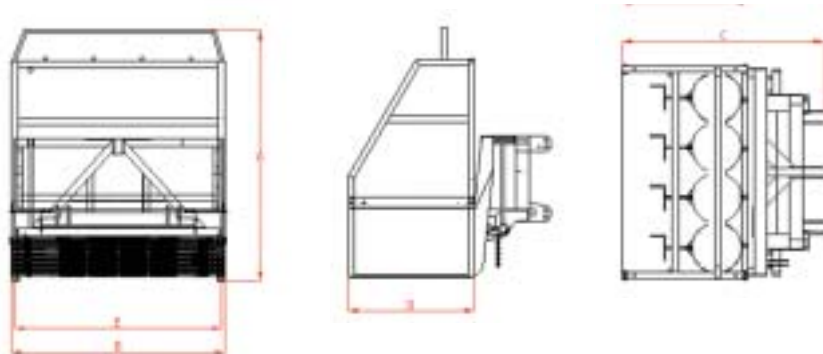
# THE 1.6M COMPACT BURNER

This lightweight Compact Burner is ideal for the small to medium size grower. The Compact Burner is 1.6 metres wide between the skids and can handle the same crops and weeds as the 1.8 metre model, from pre-emergence weeding to crop desiccation and bed clean up.

The Compact Burner is powered by 4 x 47kg vapour offtake LPG cylinders mounted in a quick release cartridge equipped with pallet tine/forklift tine channels for quick, easy and safe controlled handling. The cylinders are connected to a common manifold and empty at an equal rate eliminating the freezing effect sometimes seen on cylinders giving the Compact Burner a constant high level of performance.

The Compact Burner can also be equipped with an optional second cylinder cartridge for growers with high work levels to enable them to reduce or even eliminate down time, time that could be used more effectively working the burner in the field.

The Compact Burner is equipped with a cab mounted burn control and safety shut down.



## SPECIFICATIONS:

<b>Weight</b>	700kg	1300kg full
<b>Electric Supply</b>	12V's	
<b>LPG Usage kW</b>	390	
<b>LPG Usage Average Consumption</b>	45l/h	

### 1.6M GREENBURNER

<b>A</b>	<b>HEIGHT</b>	1745
<b>B</b>	<b>WIDTH</b>	1700
<b>C</b>	<b>OVERALL LENGTH</b>	1600
<b>D</b>	<b>CANOPY LENGTH</b>	1000
<b>E</b>	<b>WIDTH (CENTRE OF SKIDS)</b>	1650

All measurements in millimetres



**TO RECEIVE MORE INFORMATION PLEASE CALL CALOR  
ON 0800 216 659 OR VISIT WWW.LPG-FARMING.CO.UK  
QUOTING REF: AGRI 0008 10/05**



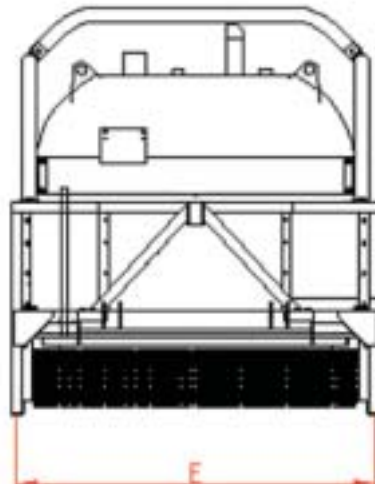
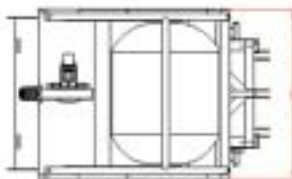
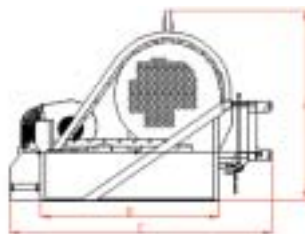
**Calor Gas Ltd, Athena House, Athena Drive, Tachbrook Park, Warwick CV34 6RL**

# THE 1.8M GREENBURNER

The original 1.8 metre Greenburner has been modified many times since its launch in the early 1990s. It offers the grower a robust and reliable machine capable of weed control, desiccation and debris destruction. The 1200 litre LPG tank allows for up to 20 hours of work before needing to be refilled.

Suitable for work on rows, beds or broad acre work, it works at a temperature of over 850°C producing 2 million BTU's per hour. The key to its effectiveness is the combination of direct flame and infrared in destroying any foliage it passes over.

A special rear mounted air knife powered by a hydraulic fan ensures a good circulation of air under the canopy and reduces any effect of the wind. It is also equipped with a cab mounted full power control and safety shut down.



## SPECIFICATIONS:

**Weight** 1400kg 2000 kg full

**Electric Supply** 12V's

**LPG Usage kW** 600

**LPG Usage Average Consumption** 60l/h

### 1.8M GREENBURNER

A	HEIGHT	1745
B	WIDTH	1700
C	OVERALL LENGTH	2950
D	CANOPY LENGTH	2000
E	WIDTH (CENTRE OF SKIDS)	1885

All measurements in millimetres

**TO RECEIVE MORE INFORMATION PLEASE CALL CALOR  
ON 0800 216 659 OR VISIT WWW.LPG-FARMING.CO.UK  
QUOTING REF: AGRI 0008 10/05**



**Calor Gas Ltd, Athena House, Athena Drive, Tachbrook Park, Warwick CV34 6RL**